



QB1B



JOB NAME: _____
 DATE: _____
 TYPE: _____

DESCRIPTION

Quartz Bullet Flood with silicone O-ring gasket, thick tempered glass lens, internal and external cooling fins. Gold plated socket contacts and 240 C Teflon coated wires for extended lamp life. Lamp supplied.

SPECIFICATIONS

Finish:

Chip and fade resistant polyester powder coating

Housing:

Precision die cast aluminum, 1/2" NPS threaded arm with locking swivel and EZ Grip lock nut fits all standard mounting covers

Lens Gasket:

High temperature silicone gasket stays in place during relamping

Lens:

Thick, tempered glass

Reflector:

Semi-specular anodized aluminum

Replacement Lamps:

Sockets:

Porcelain bi-pin GY 8 base with gold plated contacts and 250° C socket wires

UL Listing:

Suitable for wet locations. Suitable for mounting within 4' of the ground

Patents:

RAB sensor and fixture designs are protected under U.S. and International Intellectual Property laws

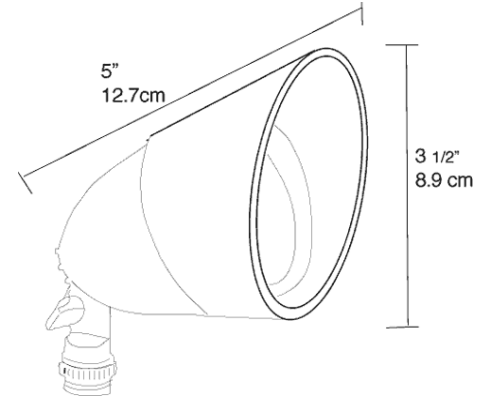
Color:

Black

Weight:

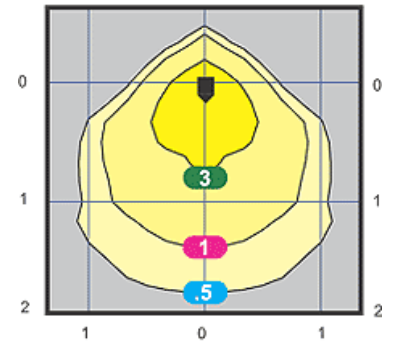
0.95

DIMENSIONS



PHOTOMETRIC

75w Quartz @ 10'
 mounting height aimed
 60° below horizon



Multiples of Mounting Height
 Values shown in Footcandles

ORDERING INFORMATION

Quartz Halogen Lamp supplied with fixture	Total Watts	Lamp Type	Lamp Base	Ballast	Starting Amps/ Operating Amps				Input Watts	LAMP ANSI	Initial Lumens	Lamp Hours
					120V	208V	240V	277V				
	75	T-4	bi-pin (GY8.0)	0	0	0	0	0	75	0	1500	1500

Factory Installed Options
 Add suffix to Catalog Number

Note: Specifications may change without notice